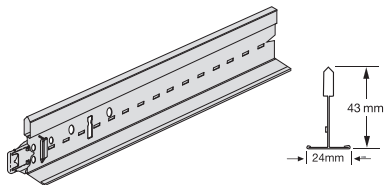


PRELUDE 24 XL²



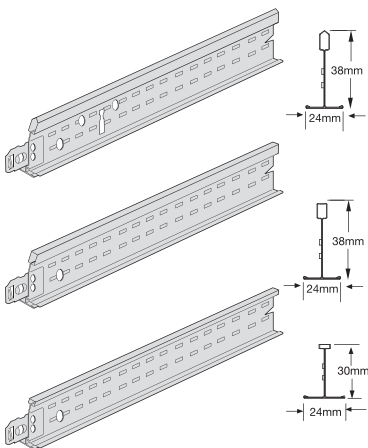
Exposed 24 mm grid system (nominal).

Universal Main Runners Prelude 24 Peakform and Superlock Clip (bulb-to-bulb connection)



Item Nr.	Dimensions length (mm) height (mm)	Content / Carton pcs lm	Weight / Carton kg	Cartons / Pallet
31 40 32 A ⁽¹⁾	3600 43	20 72,00	21,00	30
31 41 33 B ⁽¹⁾	3750 43	20 75,00	21,90	30
31 43 33 A	3375 43	20 67,50	20,00	30
31 42 32	3000 43	20 60,00	17,50	30

Cross Tees Prelude 24 XL² (stab system, override)



Cross Tees slotted

	31 33 31	1350 38	60 81,00	17,20	20
	31 31 51 B ⁽¹⁾	1250 38	60 75,00	18,90	72
	31 30 51 B ⁽¹⁾	1200 38	60 72,00	18,20	72
	31 32 31 ⁽²⁾	1000 38	60 60,00	15,10	42
	31 34 31 A	1800 38	30 54,00	17,00	20

Cross Tees unslotted

	31 16 32	750 38	60 45,00	14,70	72
	31 25 32	312,50 38	60 18,75	4,60	144
	31 24 32	300 38	60 18,00	4,60	144
	31 23 21	675 30	60 40,50	7,70	144
	31 21 23 A ⁽¹⁾	625 30	60 37,50	8,60	144
	31 20 21 A ⁽¹⁾	600 30	60 36,00	8,20	144
	31 22 21 ⁽²⁾	500 30	60 30,00	6,80	84

Section Drawings

Universal Main Runners Prelude 24

Length	3750	3600	3375	3000
	78,125	50	337,5	50
	156,25	100	675	100
	21 x 156,25	33 x 100	2 x 675	27 x 100
	156,25	100	675	100
	78,125	50	337,5	50

Cross Tee Prelude 24 XL²

Length	1800	1350	1250	1200	1000
	300	337,5	312,5	300	250
	4 x 300	2 x 337,5	2 x 312,5	2 x 300	2 x 250
	300	337,5	312,5	300	250

Cross Tee Prelude 24 XL²

	750 / 675 / 625 / 600 / 500 / 312,50 / 300
--	--

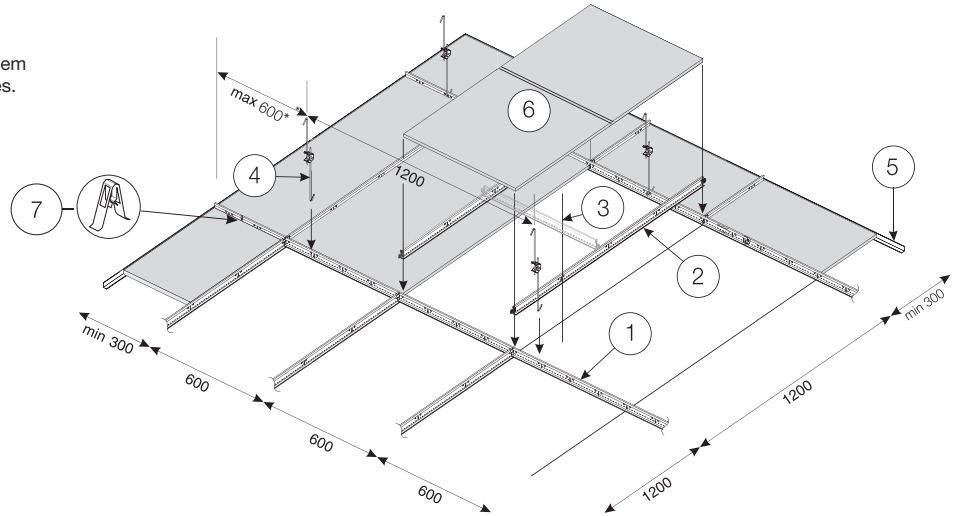
All products standard in Global White. Other standard colours available for item numbers with index (1) or (2). See details below.
 (1) Colours available : Carrara (CA), Platinum (PN), Black (BK), RAL 9006 (SG), Brass (BS), Chrome (CE), White RAL 9010 (WR).
 (2) Also available in RAL 9010 (WR).

Cross tee alignment is achieved by locating the tees to the right-hand side of the adjoining section.
 All measurements in millimetres. All sizes are nominal.



System Drawing (module 1200 x 600 mm)

Standard lay-in installation of 24 mm exposed suspension system using Board, Tegular or Vector tiles.



*reduce to 450 if heavy tile / overlays are used or heavy service fittings are located near the perimeter.

Quantities required per 1m ² (no waste included)							
6 Tile	Main Runner centres	Hangers centres	1 Main Runner	2 Cross Tee 1200 mm	3 Cross Tee 600 mm	4 Hanger	7 Universal retaining clip
1200 x 600 mm 1,39 pcs	1200 mm	1200 mm	0,84 lm	1,67 lm	-	0,70 pcs	5,56 pcs
	600 mm	1200 mm	1,67 lm	-	0,84 lm	1,40 pcs	5,56 pcs
600 x 600 mm 2,78 pcs	1200 mm	1200 mm	0,84 lm	1,67 lm	0,84 lm	0,70 pcs	5,56 pcs
	600 mm	1200 mm	1,67 lm	-	1,67 lm	1,40 pcs	5,56 pcs

5 Perimeter trim approx. 0,70 lm/m²

The chart is for general guidance only.

Grid Load Capacities

Prelude 24 XL² System

The following table gives the maximum permitted hanger distance (mm) along the Peakform Main Runner (31 40 32 A) for the tile weights and Main Runner spacings noted.

Tile weight	Hanger spacing		
	Main Runner spacing 1800 mm 1800 mm XL ² Cross Tee 31 34 31 A	Main Runner spacing 1200 mm 1200 mm XL ² Cross Tee 31 30 51 B	Main Runner spacing 600 mm 60 mm XL ² Cross Tee 31 20 21 A
2,5 kg/m ²	1650	1900	2100
3,0 kg/m ²	1600	1800	2100
3,5 kg/m ²	1500	1750	2100
4,0 kg/m ²	1450	1700	2100
5,0 kg/m ²	1350	1600	2000
5,5 kg/m ²	1350	1550	1950
6,0 kg/m ²	1250	1500	1900
7,0 kg/m ²	-	1450	1800
8,5 kg/m ²	-	1300	1700
10,5 kg/m ²	-	1200	1600
13,0 kg/m ²	-	1050	1500

- Values in the above table conform to Class 1 as defined in EN 13964:2004+A1:2006 table 6. For other classes /deflection limits please contact your local **Armstrong Technical Sales team**.
- Values are determined from laboratory tests methods in accordance with EN 13964:2004+A1:2006 clause 5.
- Values are applicable for 600 x 600 mm tiles assuming that the maximum deflection of the grid is L/500 but not greater than 4 mm (L = span).
- No other applied loads such as luminaires, air diffusers, smoke detectors, sprinklers, hanging signs etc. are permitted.**
- No overlays such as mineral wool or fibre glass quilts, as may be required for enhanced acoustic, fire or thermal performance, are permitted unless their full weight is established and included, together with the weight of the tile, within the appropriate weight groups.
- For grid loading data calculated to different criteria than Class 1 to EN13964:2004+A1:2006, please contact your local **Armstrong Technical Sales team**.

Availability of products may vary according to location. Please contact Armstrong Technical Sales for further details.

UNITED KINGDOM / REPUBLIC OF IRELAND

Armstrong World Industries Ltd.

Building Products Division
 Armstrong House
 38 Market Square
 Uxbridge UB8 1NG
 Tel : 0800 371849 (UK) **FREEPHONE**
 1800 409002 (ROI)

Fax : +44 (0) 1895 274287
 e-mail : sales-support@armstrong.com
www.armstrong-ceilings.co.uk
www.armstrong-ceilings.ie
www.armstrong.eu

